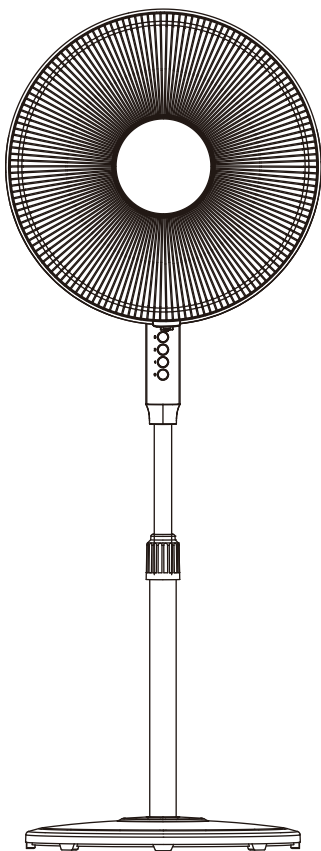


CAMPOMATIC

SF 16 STAND FAN



Made in China



INSTRUCTION MANUAL

Caution: Read and follow all safety and operating instruction before first use of this product.

Campomatic S.R.L. Via Configliachi 5/B . 35031, Abano Terme (Padova), ITALIA
WWW.CAMPOMATIC.COM

IMPORTANT SAFETY INSTRUCTIONS

CAUTION


1. Read Rules for Safe Operation and Instructions Carefully.
2. This appliance is not intended for use by persons (including children) with reduced physical, sensory or mental capabilities, or lack of experience and knowledge, unless they have been given supervision or instruction concerning use of the appliance by a person responsible for their safety. Children should be supervised to ensure that they do not play with the appliance.
3. Keep electrical appliances out of reach from Children or infirm persons. Do not let them use the appliances without supervision.
4. Never insert fingers, pencils, or any other object through the grille when fan is running.
5. Disconnect fan when moving from one location to another.
6. Be sure fan is on a stable surface when operating to avoid overturning. DO NOT use fan in window, rain may create electrical hazard.
7. Indoor and household use only.
8. When the fan was assembled, the rotor blade guard shall not be taken off anymore
 - Prior cleaning unplugs the fan.
 - The rotor guard shall not be disassembled/opened to clean the rotor blades.
 - Wipe the fan enclosure and rotor blade guard with a slightly damp cloth.

IMPORTANT SAFETY INSTRUCTIONS

WARNING

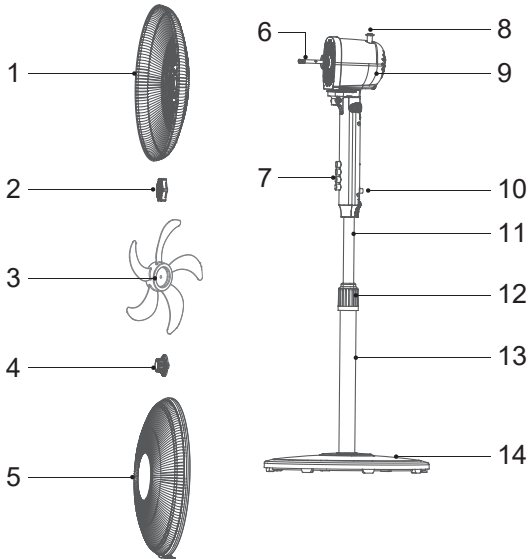
1. If the supply cord is damaged, it must be replaced by manufacturer or its service agent or a similarly qualified person in order to avoid a hazard.
2. To protect against the risk of electrical shock, do not immerse the unit, cord or plug in water or other liquid.
3. When the appliance is not in use and before cleaning, unplug the appliance from the outlet.

PRODUCT INTRODUCTION

 Note:

All the pictures in this manual are for explanation purpose only. Any discrepancy between the real object and the illustration in the drawing shall be subject to the real object.

Parts name



NO.	Description	NO.	Description
1	Rear Grille	8	Clutch Knob
2	Plastic Nut	9	Motor Housing
3	Fan Blade	10	Screw
4	Spinner	11	Internal Pole
5	Front Grille	12	Height Adjustment Ring
6	Motor Shaft	13	Extension Pole
7	Piano Switch	14	Stand

PRODUCT INSTALLATION

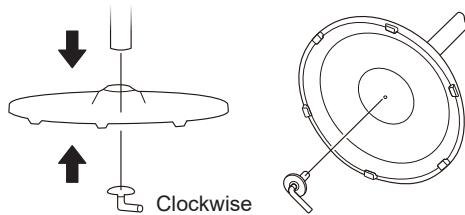
Assembly Instructions

Note:

Before installation, first remove L-shape screw from the pole, remove the grille lock nut. and blade lock nut from the motor shaft, and then install.

1 Base installation


Align the lower pole and the base, and then fasten securely with L-shape screw.

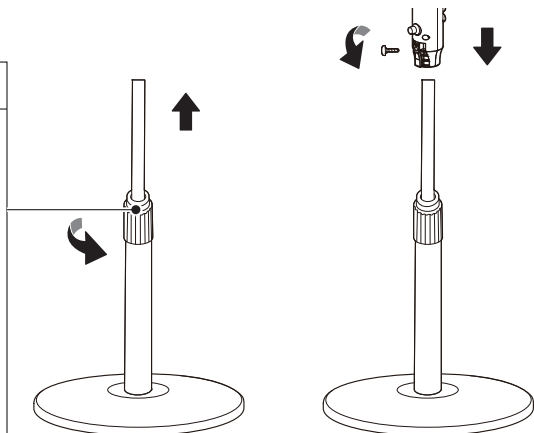


2 Pole installation

2.1 Pull out and fix the internal pole (column) after adjusting the height by way of tightening or loosening the knob.

2.2 Install and fix the machine body by way of tightening or loosening tighten knob.

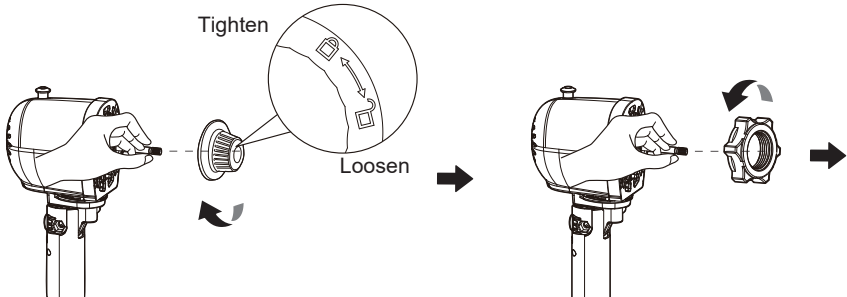
Height Adjustment
<p>Turn counterclockwise and loosen for performing height adjustment.</p>  <p style="margin-left: 100px;">Height Adjustment Key</p>



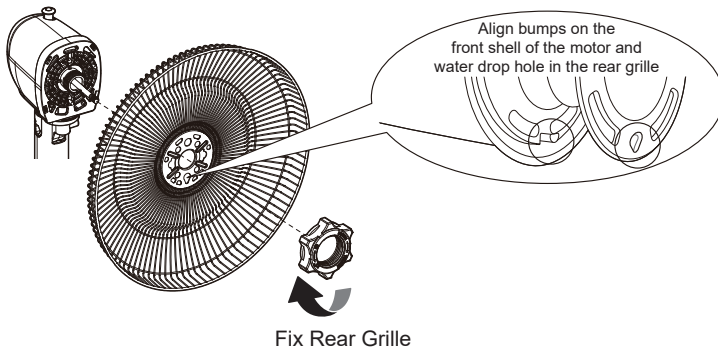
PRODUCT INSTALLATION

3 Rear grille installation

3.1 Please take out the grille lock nut and blade lock nut from the motor shaft first. Operation essentials: First fix the motor shaft by hand and then loosen the blade lock nut clockwise. Then unscrew the lock nut of the grille counterclockwise.



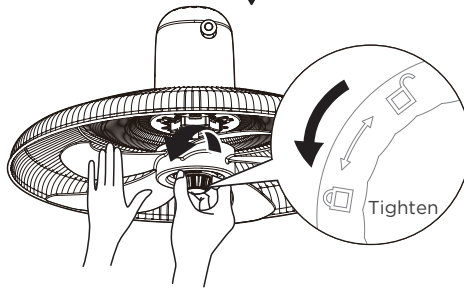
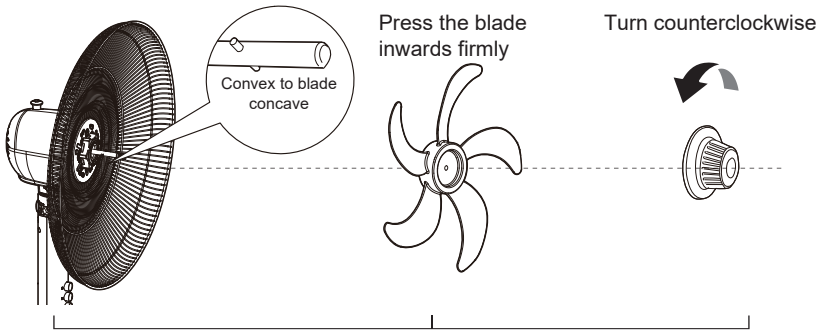
3.2 Hang the rear grille on the motor; rotate the grille lock nut clockwise to lock the rear grille.



PRODUCT INSTALLATION

4 Blade installation

Fix the blade on the motor shaft with the blade lock nut.



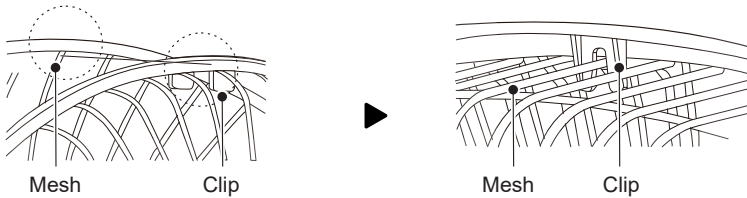
Fix the blade with the left hand

Rotate the blade lock nut counterclockwise with the right hand

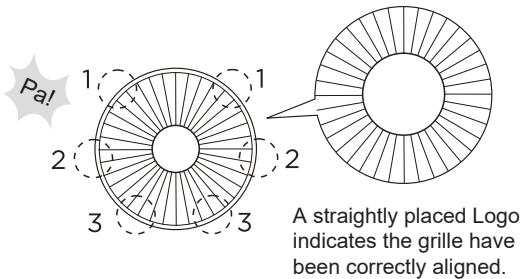
PRODUCT INSTALLATION

3 Rear grille installation

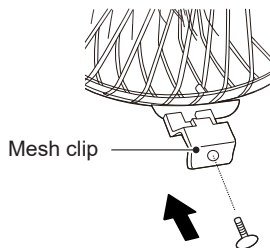
5.1 From top to bottom align the clips of the front grille with the uppermost mesh of the rear grille. After the alignment is correct, look from back to front according to the diagram.



5.2 Press the grille in order with both hands. A sound of “click” will be heard when installed right.

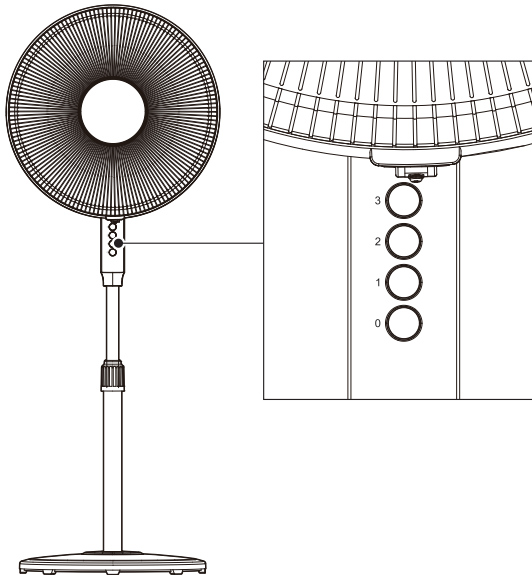


5.3 Self-clipped installation.



OPERATION INSTRUCTIONS

Button Description



Button	Function description
0	• OFF
1	• Low
2	• Medium
3	• High

1. To make/stop the fan head oscillate. Push down/pull up the clutch knob.
2. To adjust the air flow upward or downward, push the grilles lightly to the desired direction.
3. The height of the fan can be adjusted by loosening the height adjustment ring, carefully raising or lowering the fan, and firmly re-tightening the height adjustment ring.

SPECIFICATIONS

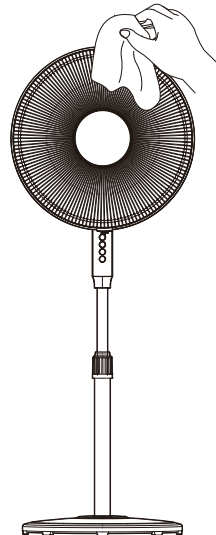
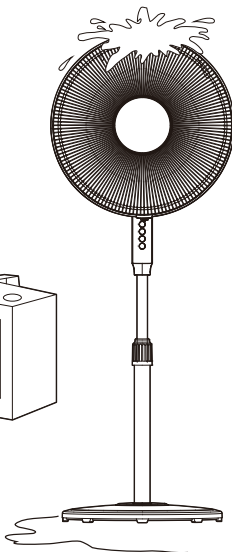
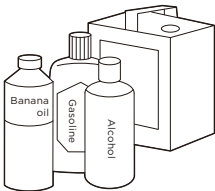
Model	Voltage	Frequency	Power
SF16	220-240V~	50Hz	50W

CLEANING AND MAINTENANCE

- Be sure to unplug from the electrical supply source before cleaning.
- Please use a damp cloth or sponge for general cleaning.
- To remove more persistent dirt, use a cloth dampened with warm soapy water. Then use a dampened cloth with water only to remove soap film. Do not use any solvents (such as thinners), as they may damage the plastic housing.
- Do not allow water or other liquids to enter inside the fan motor.
- After cleaning and maintenance, be sure to wait until fully dry before using or storing.



 Prohibited



TROUBLESHOOTING

Operation of your appliance can lead to errors and malfunctions. The following tables contain possible causes and notes for resolving an error message or malfunction. It is recommended to read the table below carefully in order to save your time and money that may cost for calling to the service center.

Problem	Cause	Solution
The machine does not work properly after installed	<ul style="list-style-type: none"> • The power cable is not plugged in or has poor contact. 	Make sure the plug is properly inserted into the socket.
	<ul style="list-style-type: none"> • The switch on the body is not turned on. 	Turn on the switch on the body.

